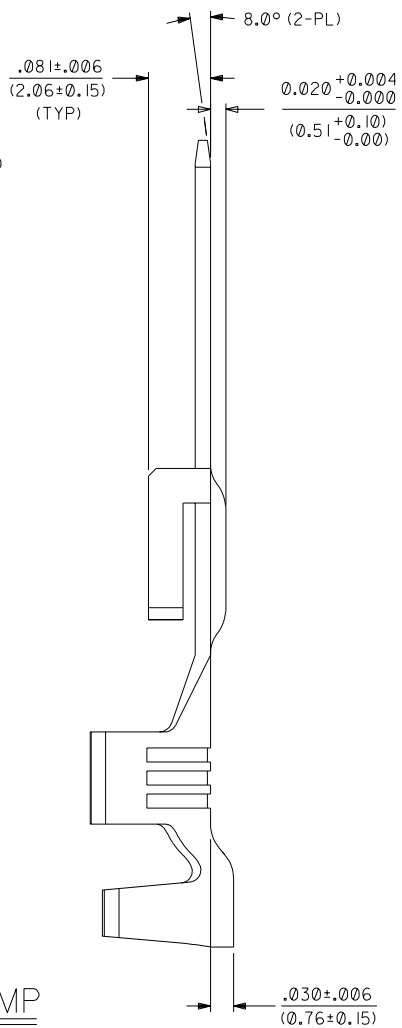
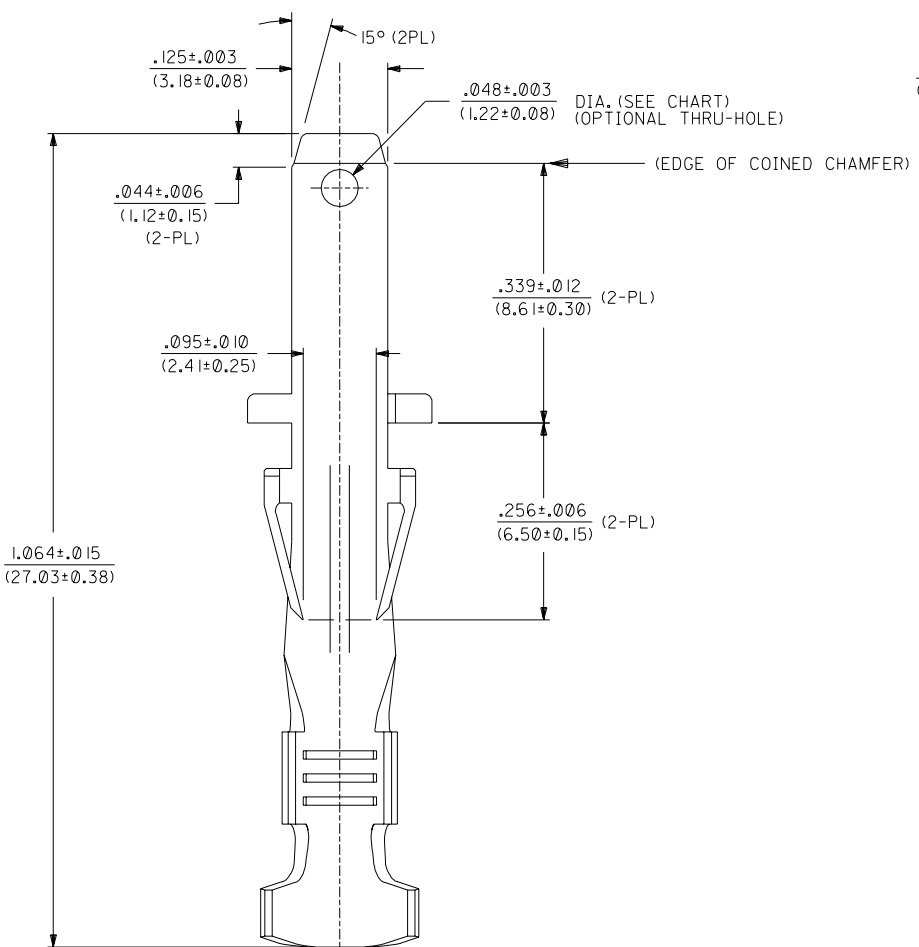
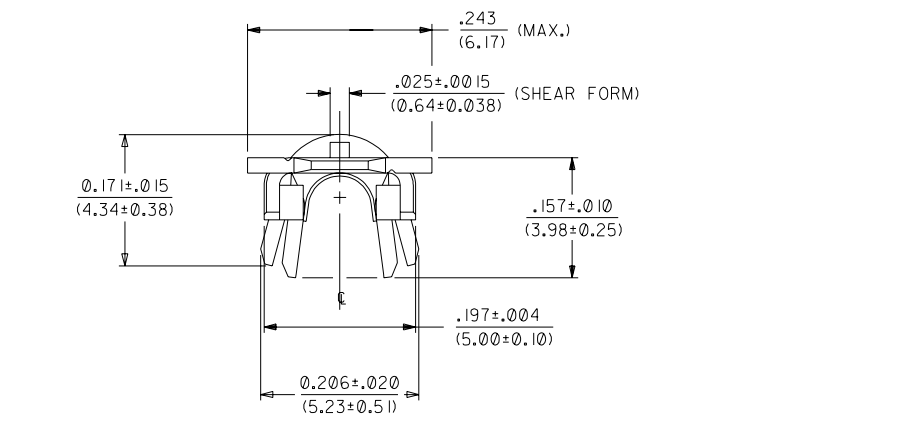


MATERIAL NUMBER	FINISH	HOLE
43178-1001	999	NOT USED
43178-1002	H901	NOT USED
43178-1003	F542	NOT USED

NOTES

- MATERIAL: BRASS
- FINISH:
999 - UNPLATED
H901 - 20 MICROINCH MIN. HOT TIN DIP
F542 - 15 MICROINCH MIN. SELECT GOLD IN CONTACT AREA,
50 MICROINCH TIN-LEAD IN CRIMP AREA,
NICKEL UNDERPLATE OVERALL.
- PRODUCT SPECIFICATION : PSX-44441-9999.
- TERMINAL FOR USE WITH A SINGLE #18 AWG
UL TYPE 1015 WIRE, HAVING A MAXIMUM INSULATION
DIAMETER OF .130/(.330).



SMALL INSULATION CRIMP

D1	REVISED EC*UCR2002-1132 6/27/02 BW
D	UPDATE NOTES UCR 2002-0428 BW 11/1/01
C1	REVISED PER UCR1999-0893 PELOZA 99/06/29
C	REVISED PER UCR1999-0605 PELOZA 99/03/16
B	REVISED PER UCR1999-0340 98/12/07 LENZ
A3	REVISED PER ECN* U10921 MARANTO 97/02/07
A2	REVISED PER ECN* U10225 MARANTO 96/08/28
A1	REVISED PER ECN* U60034 95/07/24 MAB
A	REMOVE 'X' PER ECN* U51254 95/06/19 KBP
3	REVISED PER ECN* U50640 95/01/03
2	REVISED PER ECN* U50270 94/09/21 MAB
1	'X' RELEASE PER ECN* U31563 94/10/24 KBP

DIMENSIONS SHOWN (METRIC) INCH		▽ = 0		◻ = 0		REVISE ONLY ON CAD SYSTEM	
UNLESS OTHERWISE SPECIFIED TOLERANCES: ANGULAR ± 1/2°		INCH		METRIC		TITLE	
3 PLACE	± ---	---	---	TERMINAL, CRIMP, MALE TAB .125/(.318) X .020/(.51)			
2 PLACE	± ---	± ---	---	SABRE - F.B.S. - T.P.A.			
1 PLACE	---	± ---	---	MOLEX INCORPORATED		SHEET NO. DATE	
DRAFT WHERE APPLICABLE MUST REMAIN WITHIN DIMENSIONS		LITSE,ILL. 60532		U.S.A.		1 OF 1 94/10/24	
DRWG. BY	KBP	CHK'D. BY	KBP	SEE CHART		SD-43178-1***	
APP'D. BY	RAS	SCALE	8: 1	FILE NAME		THIS DRAWING CONTAINS INFORMATION THAT IS PROPRIETARY TO	
				ET43178X5		MOLEX INC. AND SHOULD NOT BE USED WITHOUT WRITTEN PERMISSION	
				COGN		CO C	